



Electrolux

Self Service Cashier Unit "L" shape, Right Side - 3 GN

ITEM # _____

MODEL # _____

NAME # _____

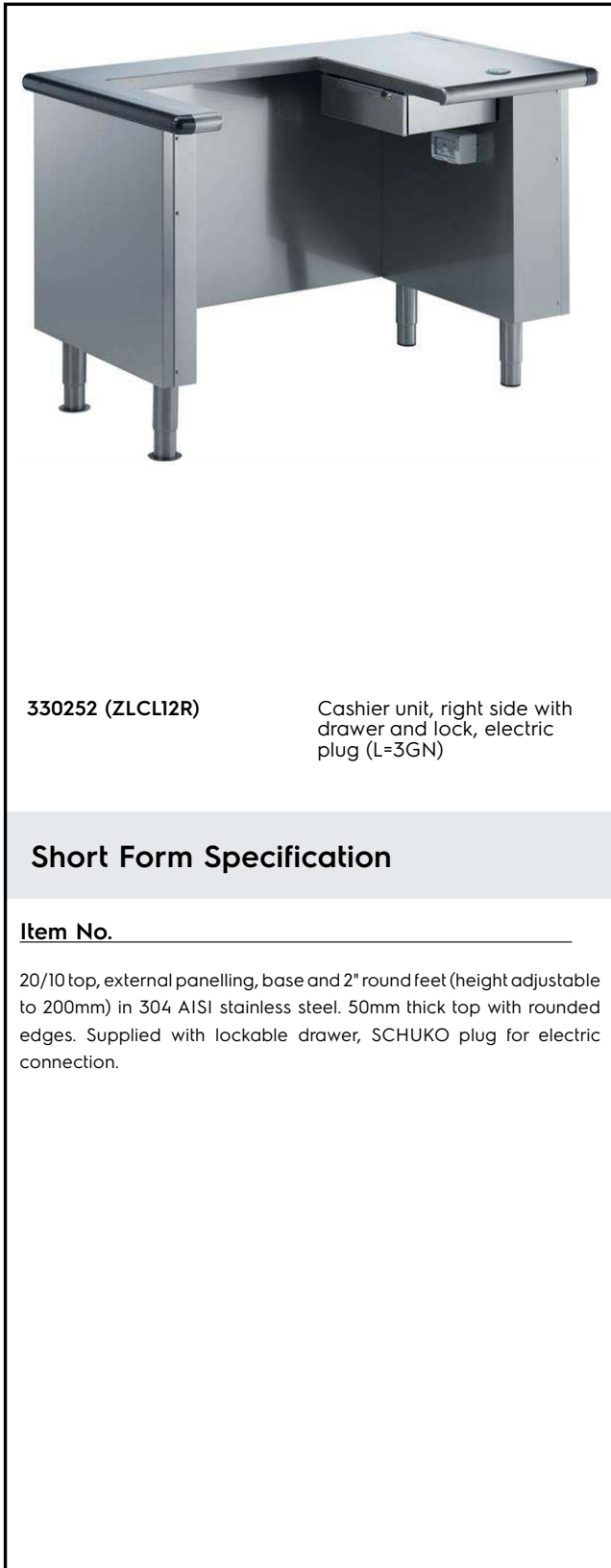
SIS # _____

AIA # _____



Electrolux

Cashier Unit "L" shape, Right Side - 3 GN
Self Service



330252 (ZLCL12R)

Cashier unit, right side with drawer and lock, electric plug (L=3GN)

Short Form Specification

Item No. _____

20/10 top, external panelling, base and 2" round feet (height adjustable to 200mm) in 304 AISI stainless steel. 50mm thick top with rounded edges. Supplied with lockable drawer, SCHUKO plug for electric connection.

Main Features

- "L" shaped, right side.
- Complies with main international certification bodies and is CE marked.

Construction

- 304 AISI stainless steel 20/10 top, external panelling and base.
- Adjustable stainless steel feet (up to 200 mm).
- Unit equipped with a small drawer with key and shuko plug for electric connection.

Optional Accessories

- Right-hand stainless steel end panel, including kicking strip - uprights for gantry (operator side) PNC 850074
- Left-hand stainless steel end panel, including kicking strip - uprights for gantry (operator side) PNC 850075
- Right-hand stainless steel end panel, including kicking strip - uprights for gantry (both sides) PNC 850076
- Left-hand stainless steel end panel, including kicking strip - uprights for gantry (both sides) PNC 850077
- Right-hand stainless steel end panel, including kicking strip - without tray PNC 850078
- Left-hand stainless steel end panel, including kicking strip - without tray PNC 850079
- Tray slider, stainless steel tubes, 3GN PNC 856039
- Kicking strip, stainless steel, 3GN PNC 856073
- 2 front panels with beech wood finishing, 400mm PNC 856187
- Tray slider with cherry wood finishing, 3GN PNC 856204
- Tray slider with beech wood finishing, 3GN PNC 856220
- 2 front panels with cherry wood finishing, module 400mm PNC 856277
- 2 end elements for curved front panels with cherry wood finishing PNC 856287
- 2 curved front panels with beech wood finishing, 400mm PNC 856288
- Curved front panel with beech wood finishing, for 650mm trolley parking units PNC 856289
- 2 end elements for curved front panel with beech wood finishing PNC 856294
- Right-hand end element, including: semicircular side panel with cherry wood finishing, stainless steel top, side kicking strip and side external covering shells for gantry top and upright PNC 856295

APPROVAL: _____



- Left-hand end element, including: PNC 856296
semicircular side panel with cherry wood finishing, stainless steel top, side kicking strip and side external covering shells for gantry top and upright
- Left-hand end element, including: PNC 856297
semicircular side panel with beech wood finishing, stainless steel top, kicking strip and external covering shells for gantry top and upright
- Right-hand end element, including: PNC 856298
semicircular side panel with beech wood finishing, stainless steel top, kicking strip and external covering shells for gantry top and upright
- Right-hand end element, including: side PNC 856299
panel with cherry wood finishing, stainless steel kicking strip, worktop end panel and external covering shells for gantry top and upright
- Left-hand end element, including: side PNC 856302
panel with cherry wood finishing, stainless steel kicking strip, worktop end panel and external covering shells for gantry top and upright
- Left-hand end element, including: side PNC 856303
panel with beech wood finishing, stainless steel kicking strip, worktop end panel and external covering shells for gantry top and upright
- Right-hand end element, including: side PNC 856304
panel with beech wood finishing, stainless steel kicking strip, worktop end panel and external covering shells for gantry top and upright
- 2 frontages with cherry wood finishing, PNC 856410
module 400mm
- Right-hand end plate short for units, PNC 856421
including: side kicking strip, worktop end panel and side covering shell for gantry (tray customer side)
- Left-hand end plate short for units, PNC 856422
including: side kicking strip, worktop end panel and side covering shell for gantry (tray customer side)
- Right-hand end plate short for units PNC 856423
without plinth with covers for gantry (tray customer side)
- Left-hand end plate short for units PNC 856424
without plinth with covers for gantry (tray customer side)



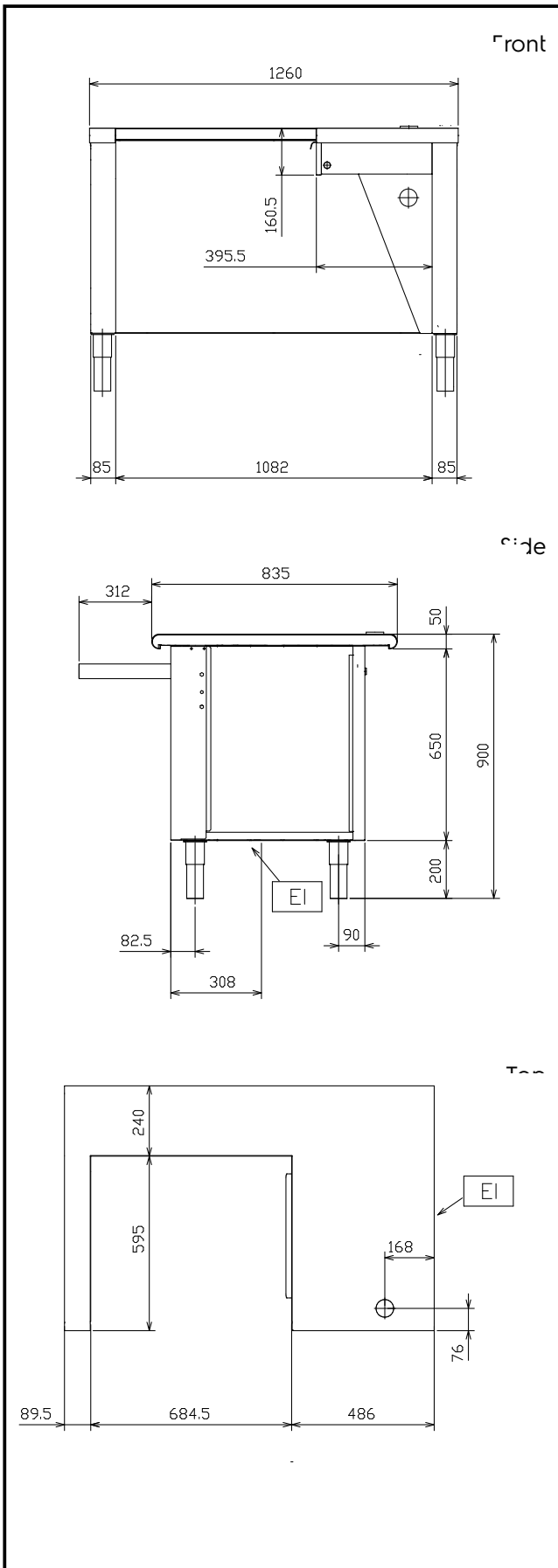


Electrolux

**Self Service
Cashier Unit "L" shape, Right Side -
3 GN**

Key Information:

External dimensions, Width:	
330252 (ZLCL12R)	1260 mm
External dimensions, Height:	900 mm
External dimensions, Depth:	835 mm
Foot type:	Round
Foot size:	Ø 56



**Self Service
Cashier Unit "L" shape, Right Side - 3 GN**

The company reserves the right to make modifications to the products without prior notice. All information correct at time of printing.





Optional Accessories

- Right-hand stainless steel end panel, including kicking strip - uprights for gantry (operator side) PNC 850074
- Left-hand stainless steel end panel, including kicking strip - uprights for gantry (operator side) PNC 850075
- Right-hand stainless steel end panel, including kicking strip - uprights for gantry (both sides) PNC 850076
- Left-hand stainless steel end panel, including kicking strip - uprights for gantry (both sides) PNC 850077
- Right-hand stainless steel end panel, including kicking strip - without tray PNC 850078
- Left-hand stainless steel end panel, including kicking strip - without tray PNC 850079
- Tray slider, stainless steel tubes, 3GN PNC 856039
- Kicking strip, stainless steel, 3GN PNC 856073
- 2 front panels with beech wood finishing, 400mm PNC 856187
- Tray slider with cherry wood finishing, 3GN PNC 856204
- Tray slider with beech wood finishing, 3GN PNC 856220
- 2 front panels with cherry wood finishing, module 400mm PNC 856277
- 2 end elements for curved front panels with cherry wood finishing PNC 856287
- 2 curved front panels with beech wood finishing, 400mm PNC 856288
- Curved front panel with beech wood finishing, for 650mm trolley parking units PNC 856289
- 2 end elements for curved front panel with beech wood finishing PNC 856294
- Right-hand end element, including: semicircular side panel with cherry wood finishing, stainless steel top, side kicking strip and side external covering shells for gantry top and upright PNC 856295
- Left-hand end element, including: semicircular side panel with cherry wood finishing, stainless steel top, side kicking strip and side external covering shells for gantry top and upright PNC 856296
- Left-hand end element, including: semicircular side panel with beech wood finishing, stainless steel top, kicking strip and external covering shells for gantry top and upright PNC 856297
- Right-hand end element, including: semicircular side panel with beech wood finishing, stainless steel top, kicking strip and external covering shells for gantry top and upright PNC 856298
- Right-hand end element, including: side panel with cherry wood finishing, stainless steel kicking strip, worktop end panel and external covering shells for gantry top and upright PNC 856299
- Left-hand end element, including: side panel with cherry wood finishing, stainless steel kicking strip, worktop end panel and external covering shells for gantry top and upright PNC 856302
- Left-hand end element, including: side panel with beech wood finishing, stainless steel kicking strip, worktop end panel and external covering shells for gantry top and upright PNC 856303
- Right-hand end element, including: side panel with beech wood finishing, stainless steel kicking strip, worktop end panel and external covering shells for gantry top and upright PNC 856304
- 2 frontages with cherry wood finishing, module 400mm PNC 856410
- Right-hand end plate short for units, including: side kicking strip, worktop end panel and side covering shell for gantry (tray customer side) PNC 856421
- Left-hand end plate short for units, including: side kicking strip, worktop end panel and side covering shell for gantry (tray customer side) PNC 856422
- Right-hand end plate short for units without plinth with covers for gantry (tray customer side) PNC 856423
- Left-hand end plate short for units without plinth with covers for gantry (tray customer side) PNC 856424

